

Installation Instructions for Remote Temperature Probe for Tempo™ and Tempo/Plus™ Controls (PN: MST5)

The Remote Temperature Probe is required when the Tempo™ or Tempo/Plus™ Controls are installed outside the steam room.



The Remote Temperature Probe (P/N MST5) is for use with Tempo™ and Tempo/Plus™ Controls only. Do not use any other controls. Do not use any other temperature probe with the Tempo™ or Tempo/Plus™ controls. Noncompatible products may result in an inoperative control and a hazardous condition.



Install the Tempo™ or Tempo/Plus™ Controls according to the installation and operation instructions supplied with the Controls. Failure to do so may result in an inoperative control and a hazardous condition.

1. Determine the location of the Remote Temperature Probe:

The Remote Temperature Probe must be installed:

1. On a vertical surface
2. 4-5 feet above the floor
3. Away from the steam head
4. Not exposed to direct steam emission.

The probe has an integral 30' cable. Insure that the probe and/or steam generator are located accordingly. Contact a MrSteam technical service representative if a longer cable is required.

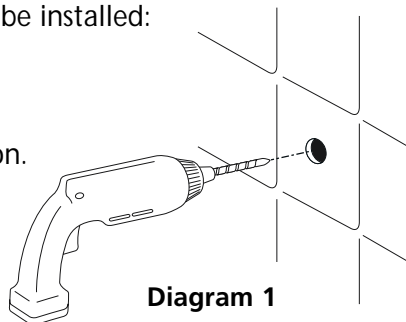


Diagram 1

2. Drill a 5/16 inch diameter hole in the wall as shown in Diagram 1. Do not oversize or undersize the hole. Clean area thoroughly.

3. Remove the knock-out from the steam generator jacket as shown in Diagram 2.

4. Insert the remote temperature probe cable through the knock-out and connect to the connector on the steam generator printed circuit board marked "TEMP PROBE" as shown in Diagram 2.

Printed Circuit Board Component shown for illustrative purpose

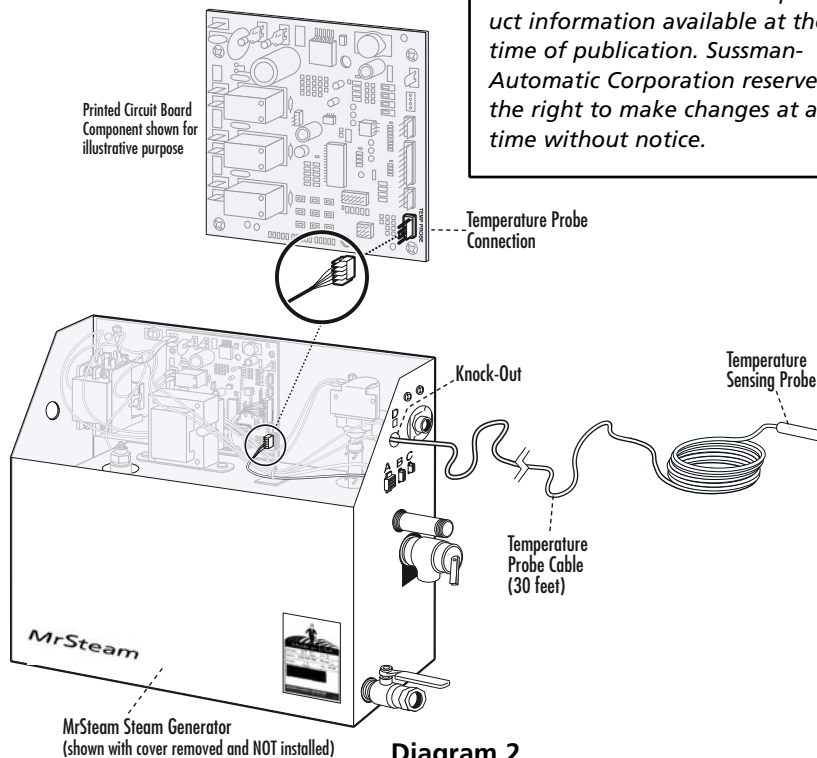


Diagram 2

NOTE: For illustrative purposes only. Consult with qualified designer, architect or contractor for steam room construction details.

DRAWING NOT TO SCALE

IMPORTANT NOTE:

As you follow these instructions, you will notice warning and caution symbols. This blocked information is important for the safe and efficient installation and operation of this generator. These are types of potential hazards that may occur during this installation and operation:



states a hazard may cause serious injury or death if precautions are not followed. Failure to do so may



signals a situation where minor injury or product damage may occur if you do not follow instructions.

IMPORTANT NOTE:

This highlights information that is especially relevant to a problem-free installation.

All information in these instructions is based on the latest product information available at the time of publication. Sussman-Automatic Corporation reserves the right to make changes at any time without notice.

- Route the end of the temperature probe cable with the temperature probe through the wall into the steam room as shown in Diagram 3.

IMPORTANT NOTE:

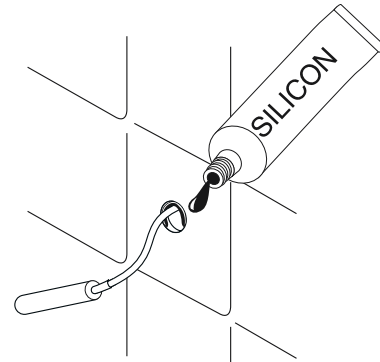
Do not strain, staple, pinch or otherwise damage the probe cable.

- With a minimal length of the cable exposed apply silicone (provided) to the hole in the wall as required to create a moisture seal as shown in Diagram 3.

- Push the temperature cable and bulb into hole as required to leave minimum 1/4", maximum 1/2" of the bulb exposed as shown below.

WARNING Insure a minimum of 1/4" of the temperature bulb is exposed to the air. Failure to do so may result in an inoperative control and a hazardous condition.

WARNING The exposed area of the temperature bulb must be free of silicone or any materials that prevent direct exposure to the steam room air. Failure to do so may interfere with the ability to sense temperature and may result in excessive steam room temperatures



**Steam Room Interior
Diagram 3**

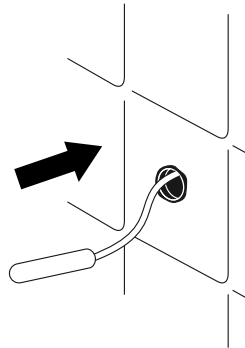
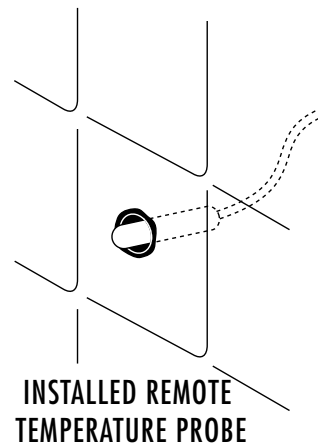
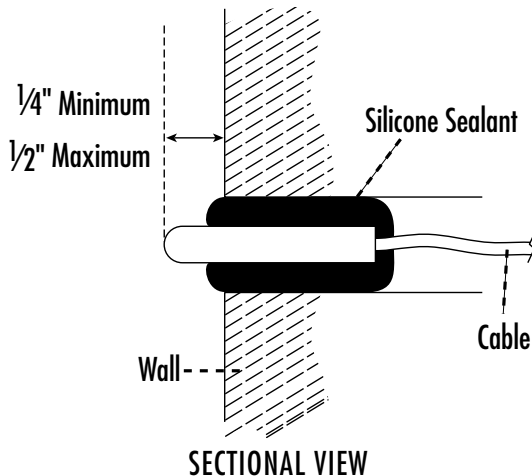


Diagram 4



A Division of Sussman-Automatic Corporation
 43-20 34th Street, Long Island City, NY 11101 • (718) 937-4500
 1-800-767-8326 • Fax: (718) 472-3256 • www.mrsteam.com
Western Regional Offices
 9410 S. La Cienega Blvd., Inglewood CA 90301
 1-800 72 STEAM (1-800 727-8326) • Fax: (310) 216-2944



PUR 100386 Rev. 5/03